

1

2

3

4

A

A

B

B

C

C

D

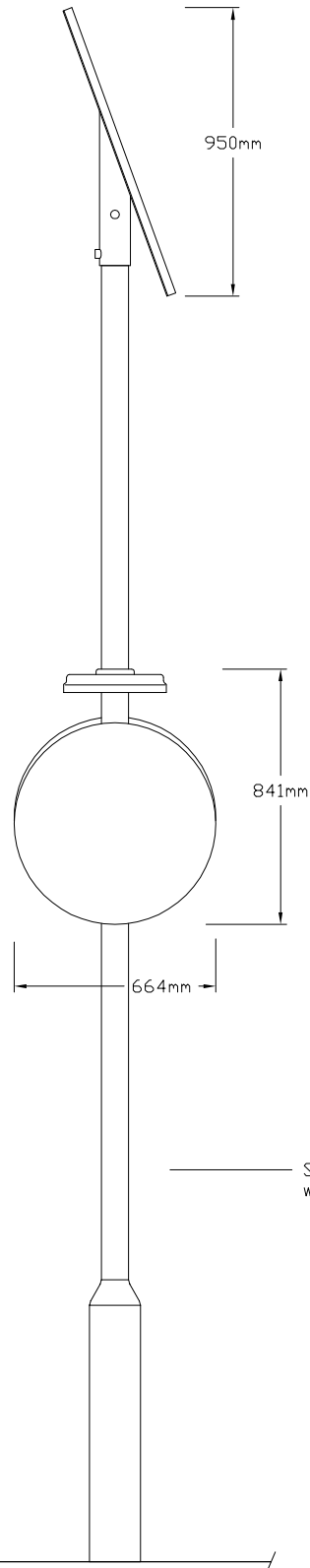
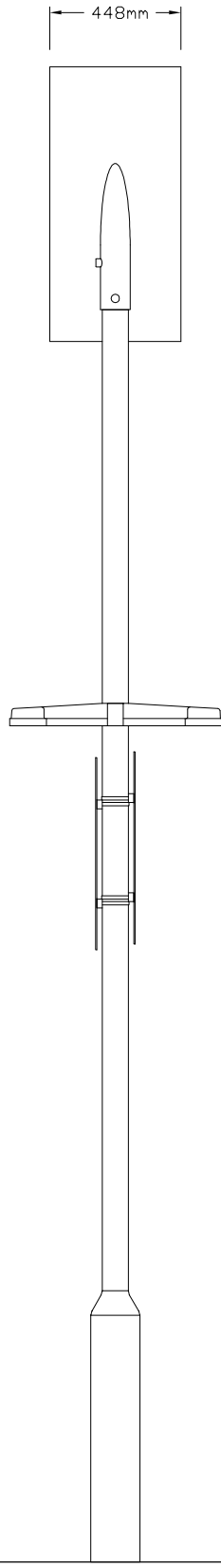
D

E

E

F


F



Weight of 65W
Solar panel:
14.2KG

Weight of 2x
Solarsign
Type F: 14.2KG

Standard 89mm post
with 168mm wide base

Designed by C. McFarlane	Checked by J.Whitehead	Approved by - date 09/10/2017	Approval No. 1287	Issue No. 1	Sheet No. 1 of 1
			File name Solarsign Type FB with 600mm flat plate sign		
Solagen LTD Unit 8 Easter Court, Woodward Avenue, Westerleigh Business Park, Yate, BS37 5YS Tel: 01454 318260 Fax: 01454 321960 enquiry@solagen.com			© Solagen Ltd 2017		

1

4